

LED ROADWAY LIGHTING

Envirolux Mini Circular Floodlight

Envirolux

NEW



The Envirolux Mini Circular Floodlight range provides low maintenance and efficient and effective area lighting from 300W to 600W LED. The diameter is only 352mm making it very convenient as a direct replacement for traditional HID fixtures using existing masts/poles, wiring and mounting arms.

INTEGRATED
SMART
TECHNOLOGY

Applications

- Sports fields, car parks, seaports, railyards

Electrical

- 300W - 600W
- IP65 rated fixture, IP66 optional
- System efficiency 120 lm/w, 10kV surge protection used as standard, 20kV optional
- Class 1 insulated
- Input voltage 100-277 VAC, 50/60Hz standard, high voltage 180-528 VAC, 50/60Hz optional
- Ambient operating temperature -40 to +50 Degrees Celsius
- Remote Driver optional

LED & Optical Performance

- High quality PC lens, UV resistant
- Available with 2 beam angles 25 & 60, glare shields optional. Small-size visor supplied as standard
- LM80 > 100,000 hours
- CRI 70/80RA
- CCT available from 3,000 - 6,500K but 4000K standard

Mounting

- Fixture comes with a U bracket as standard, but other mounting options are available on request
- Very low windage area (EPA) and lightweight design ensures less force on poles

Finish

- Color is grey, other colours can be customised after confirmed RAL number

Housing

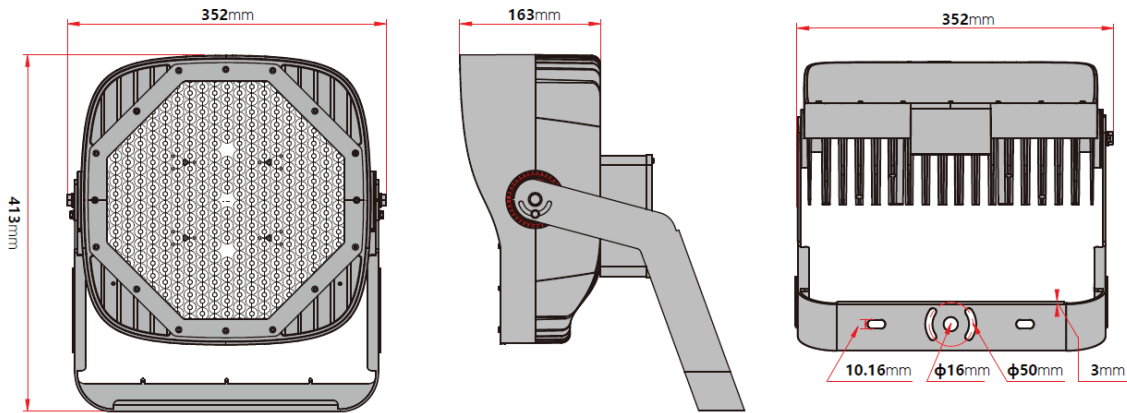
- Low copper die cast aluminum housing
- Unique hollow design allows excellent heat dissipation

LED ROADWAY LIGHTING

Envirolux Mini Circular Floodlight

Envirolux

Dimensions and Weight



FIXTURE WEIGHT : 9.75 kg (Remote Drivers) / 13.85 kg (With Drivers)

- Standard thickness for the U-Bracket is 3mm, other thickness need to be customized.

Order logic

EXAMPLE : ELMC-300-4K-70-25-100-277V

Description	Power (W)	CCT	CRI	Beam Angle	Input Power
ELMC	300-300W	3K-3000K	70	25	100-277V
ELMC =	400-400W	4K-4000K	80	60	180-528V
"Envirolux	500-500W	5K-5000K	90		
Mini	600-600W	5.7K-5700K			
Circular"		6.5K-6500K			

Accessories



VGS: Visor Glare Shield



Remote Drivers

Distance from Luminaire May Not Exceed 100' .
Standard Remote Driver Distance from Luminaire is 6' unless Otherwise Specified.



Adapters

NOTE: We can customize different types adapters and arms.

LED ROADWAY LIGHTING

Envirolux Mini Circular Floodlight

Envirolux



- **EPA:** 0.058 m² — 0.138 m²
- **Heat dissipation:** Unique Hollow Design with Excellent Heat Dissipation

