

LED ROADWAY LIGHTING

Envirolux Floodlight

Envirolux

NEW



The Envirolux Floodlight range is available in 3 sizes, providing area lighting solutions from 100W to 800W LED. The asymmetric light distribution designed to reduce glare, whilst controlling the overflow of light with the use of indirect LED technology. Suitable for new installations or to replace existing HID/MH/HPS fixtures.

INTEGRATED
SMART
TECHNOLOGY

Applications

- Sports fields, car parks, seaports, railyards, signage, highmast roadway, industrial complexes, prisons, etc.

Electrical

- 100W - 800W
- IP65 rated fixture.
- System efficiency 125 lms/W (4000K), 10KV surge protection used as standard, 20KV available on request.
- Class 1
- Input voltage 100-277V AC, 50/60Hz standard, high voltage 180-528V AC, 50/60Hz available.
- -40C to 50C ambient temperature.

LED & Optical Performance

- The internal indirect reflector has a high reflectivity of 98%.
- 5mm tempered glass lens is used to protect the LED cavity.
- CRI 70/80RA
- CCT available from 2,700K - 7,000K but 4000K standard.

Mounting

- Fixture comes with a U bracket as standard, but other mounting options are available on request.

Finish

- Black powder coated inside and out to provide excellent protection.

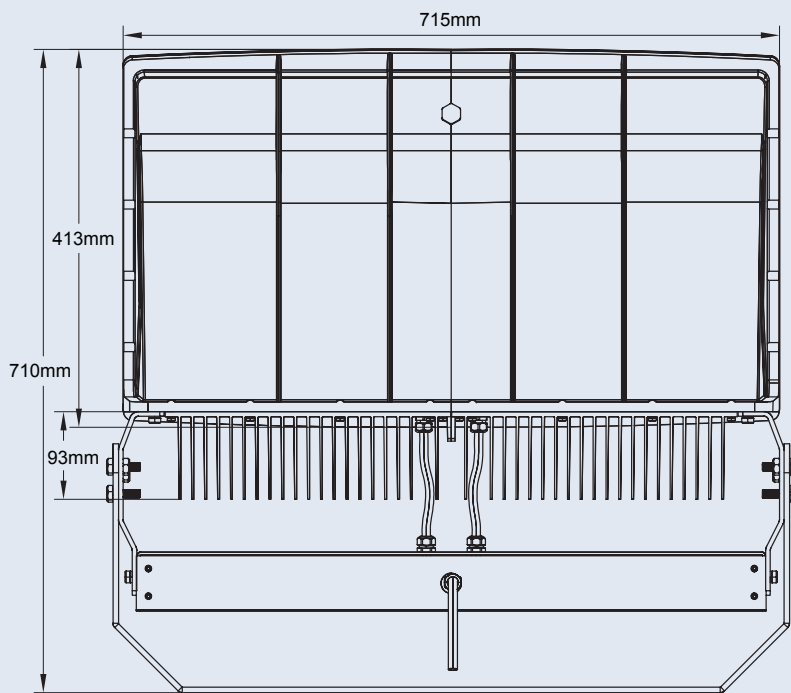
Housing

- Low copper die cast aluminum housing ensures excellent heat dissipation.
- Weight 11.9kg - 35.2kg

LED ROADWAY LIGHTING

Envirolux Floodlight

Envirolux



Order logic

Description	Power (W)	CCT	Lumen Output	Weight
ELF S1 100N	100W	4000K	13,000	11.9kg
ELF S1 150N	150W	4000K	19,500	12.5kg
ELF S1 200N	200W	4000K	26,000	12.5kg
ELF S2 300N	300W	4000K	39,000	19.5kg
ELF S2 400N	400W	4000K	52,000	20.4kg
ELF S3 300N	300W	4000K	39,000	31.8kg
ELF S3 400N	400W	4000K	52,000	31.8kg
ELF S3 500N	500W	4000K	65,000	32.7kg
ELF S3 600N	600W	4000K	78,000	32.7kg
ELF S3 800N	800W	4000K	104,000	35.2kg